

Planning ahead? /This is Why you need an MFP that's fit for the future.



MX-M316N
model shown

BLACK & WHITE, A3 MFP WITH FLEXIBLE DESIGN AND OPTIONAL SOLUTIONS PLATFORM

Fast and Productive

- Speedy output of max. 31 ppm (MX-M316N), 26 ppm (MX-M266N) in B/W
- Built-in 100-sheet Reversing Single Pass Feeder and stackless duplex module
- Optional space-saving Inner Finisher automates sorting and stapling
- Optional Job Separator prevents copy/print/fax jobs from getting mixed together
- E-sort automatically collates multiple sets of copies in page order
- Standard 1,100-sheet paper capacity expandable to 2,100 sheets max.

Superb Image Quality

- 1,200 x 600 dpi high quality printing
- Auto Colour Mode for enhanced scan performance
- Standard PCL 6 and optional PostScript® 3™ emulation

All-in-one Performance

- Standard network printing
- Full colour network scanning with multiple scan destinations
- Scan to and print from USB memory devices*1
- Document Filing function to instantly reuse job data stored on HDD*2
- Optional Sharpdesk for integrated, intuitive document management on a PC
- Sharp OSA (Open Systems Architecture)*3 allows integration with network and cloud based applications
- Sharpdesk Mobile print/scan application connects the MFP to mobile devices via wireless LAN*4

Enhanced Usability

- 7" colour LCD touchscreen enables smooth and easy navigation of MFP functions
- Thumbnail displays and previews allow copy/send/save jobs to be checked on LCD control panel*2
- Red and green lights notify users of device status from a distance

Multi-Layered Security

- Standard equipped security functions include multiple network security and user authentication
- Encryption/erasure of internally stored job data*2
- Document Control Function*5 prevents unauthorised use of confidential documents
- Stored documents can be initialised when it's time to replace the MFP

Energy Efficient

- Power ON/OFF Scheduling automatically turns MFP on or off per administrator set time schedules
- Optimises Auto Power Shut Off mode settings based on prior usage patterns*2
- Eco Scan function keeps fusing roller turned off during jobs that don't require printing
- Energy Star Certified

*1 Requires optional MX-HD14. Direct PDF printing also requires MX-PK11.

*2 Requires optional MX-HD14.

*3 Requires optional MX-HD14 and MX-AMX2 and/or MX-AMX3.

*4 Available at a later date. Availability varies by country/region. Options apply.

*5 Requires optional Data Security Kit and MX-HD14.

Specifications

General

Engine speed**1 (ppm/cpm) (Max)

	A4	A3
MX-M316N	31	17
MX-M266N	26	15

Paper size**2 (Min – Max)

A6 - A3

Paper weight (g/m²)

Drawers	55 - 105
Bypass	55 - 200

Paper capacity (Std – Max)

Sheets	1,100 - 2,100
Drawers	2 - 4 (plus bypass tray)

Warm-up time**3 (seconds)

20

Memory (GB)

Copier/Printer (shared)	2
HDD**4	250

Power requirements

Rated local AC voltage ±10%, 50/60 Hz

Power consumption (kW) (Max)

1.45

Dimensions (mm) (W x D x H)

620 x 617 x 830

Weight (kg)

51

Copier

Original paper size (Max)

A3

First copy time**5 (seconds)

4.3

Continuous copies (Max)

999

Resolution (dpi)

Scan 600 x 600; 600 x 400; 600 x 300**6

Print 600 x 600

Gradation levels

256

Zoom range (%)

25 - 400 in 1% increments

(50 - 200 using RSPF)

Preset copy ratios

10 (5R/5E)

Network Colour Scanner

Scan method

Push scan (via control panel)

Pull scan (via TWAIN compliant application)**9

Resolution (dpi)

Push scan 100, 200, 300, 400, 600

Pull scan 75, 100, 150, 200, 300, 400, 600;

50 - 9,600 via user setting

File formats

TIFF, PDF, PDF/A-1b, encrypted PDF, JPEG**10, XPS

Scan destinations

Scan to email, desktop, FTP, network folder (SMB), USB memory, i-Fax**11

Scanner utilities

Sharpdesk (optional)

Network Printer

Resolution (dpi)

1,200 x 600

Interface

USB 2.0, 10Base-T/100Base-TX/1000Base-T

Supported OS

Std Windows Server® 2003, Windows Server® 2003R2, Windows Server® 2008, Windows Server® 2008R2, Windows Server® 2012, Windows Server® 2012R2, Windows Vista®, Windows® 7, Windows® 8, Windows® 8.1

Opt**7 Mac OS X 10.4, 10.5, 10.6, 10.7, 10.8, 10.9, 10.10

Network protocols

TCP/IP (IPv4, IPv6), IPX/SPX (NetWare), EtherTalk**7 (AppleTalk)

Printing protocols**8

LPR, Raw TCP (port 9100), POP3 (email printing), HTTP, FTP for downloading print files, EtherTalk printing, IPP

PDL

Std PCL 6 emulation

Opt**7 PostScript® 3™ emulation

Available fonts

80 fonts for PCL, 136 fonts for PostScript® 3™

Printer utilities

Sharpdesk Mobile

Document Filing (optional MX-HD14 required)

Document filing capacity**7

	Pages	Files
Main and custom folders	20,000	3,000
Quick file folder	10,000	1,000

Stored jobs

Copy, print, scan, fax transmission**13

Storage folders

Quick file folder, main folder, custom folder (max. 1,000 folders)

Confidential storage

Password protection

Fax (optional MX-FX11 required)

Compression method

MH/MR/MMR/JBIG

Communication protocol

Super G3/G3

Transmission time**14 (seconds)

2

Modem speed (bps)

33,600 - 2,400 with automatic fallback

Transmission resolution (dpi)

Std 203.2 x 97.8

Ultra Fine 406.4 x 391

Recording size

A5 - A3

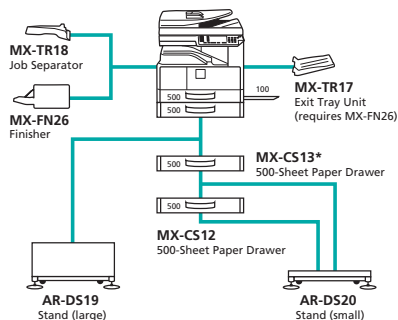
Memory (GB) (Std - Max)

0.5 - 1**9

Greyscale levels

256

Configurations



MX-HD14

Hard Disk Expansion Kit

MX-PK11

PS3 Expansion Kit

MX-PF10

Barcode Font Kit

MX-FX11

Fax Expansion Kit

MX-FWX1

Internet Fax Expansion Kit

AR-SU1

Stamp Unit

MX-AMX1

Application Integration Module

MX-AMX2

Application Communication Module

MX-AMX3

External Account Module

MX-USX1/X5

Sharpdesk 1/5-License Kit

MX-US10/50/A0

Sharpdesk 10/50/100-License Kit

MX-EB13

USB Wireless LAN Adapter

MX-FR48U**

Data Security Kit

*3rd paper drawer must be MX-CS13. **Available at a later date.

This is Why

www.sharp.eu

SHARP

Notes

**1 A4, long-edge feeding. **2 Only short-edge feeding can be used with A6 paper. **3 At rated voltage, 23°C (73.4°F). May vary depending on operating conditions and environment. **4 HDD capacity depends on procurement and sourcing status. **5 Long-edge feeding of A4 sheets from 1st paper tray, using document glass, MFP in fully ready condition. May vary depending on operating conditions and environment. **6 Not available when using RSPF. **7 Requires optional MX-PK11. **8 IPv6 is supported only by LPR printing protocol. **9 Requires optional MX-HD14. **10 Colour only. **11 Requires optional MX-FWX1. **12 Storage capacity will vary depending on the type of document and the scan settings. **13 Requires optional MX-FX11. **14 Based on Sharp's standard chart with approx. 700 characters (A4 portrait) at standard resolution in Super G3 mode, 33,600 bps, JBIG compression. Design and specifications are subject to change without prior notice. All information was correct at time of print. The ENERGY STAR logo is a certification mark and may only be used to certify specific products that have been determined to meet the ENERGY STAR programme requirements. ENERGY STAR is a US registered mark. Windows, Windows NT and Windows Vista are registered trademarks of Microsoft Corporation. PostScript 3 is either registered trademarks or trademarks of Adobe Systems Incorporated in the U.S. and/or other countries. All other company names, product names and logos are trademarks or registered trademarks of their respective owners. ©Sharp Corporation March 2015. Ref: DS MX-M316N/MX-M266N Job No: 15951. All trademarks acknowledged. E&OE.

